

Broadstick RJ11 Modular Plugs 6P4C

BSPL-R11_6P4C

Broadstick provides custom RJ11 plugs that exceeds the ANSI/TIA standards.

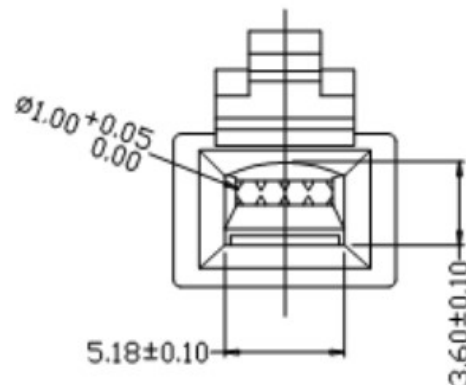
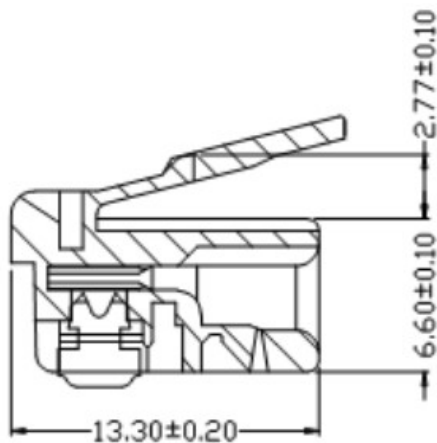
The Broadstick RJ11 plugs provide a high quality connection for telephone cables.

This RJ11 plugs allows easy movements, installations and changes.

- Current Rating : 1A AC/DC
- Voltage Rating : 150V AC/DC
- Maximum Contact Resistance : 20mΩ
- Minimum Insulator Resistance : 1,000MΩ
- Withstanding Voltage : 500V AC for one minute
- Operating Temperature Range : -40°C to +125°C
- Connector Type : RJ11
- Gender : Plug No. of
- Ports : 1 Contact Termination : IDC / I



 BROADSTICK



All Broadstick products are individually tested in fabric.

For more information contact sales@broadstick.com